

UPS

The Grundfos UPS range of domestic circulator pumps are suitable for circulation of liquid in domestic heating and hot water systems. These pumps with wet-rotor circulators are whisper-quiet and maintenance-free. They feature an integrated pump and motor design. The 3-speed switch on the UPS Basic motor allows you to adjust the pump speed to meet the needs of your system, thereby reducing energy consumption and saving you money.

APPLICATIONS

- It is specially used in heating system, condenser and air-conditioning system
- Hot water system in villas and apartments
- Domestic hot water recirculation system
- Heating system

FEATURES

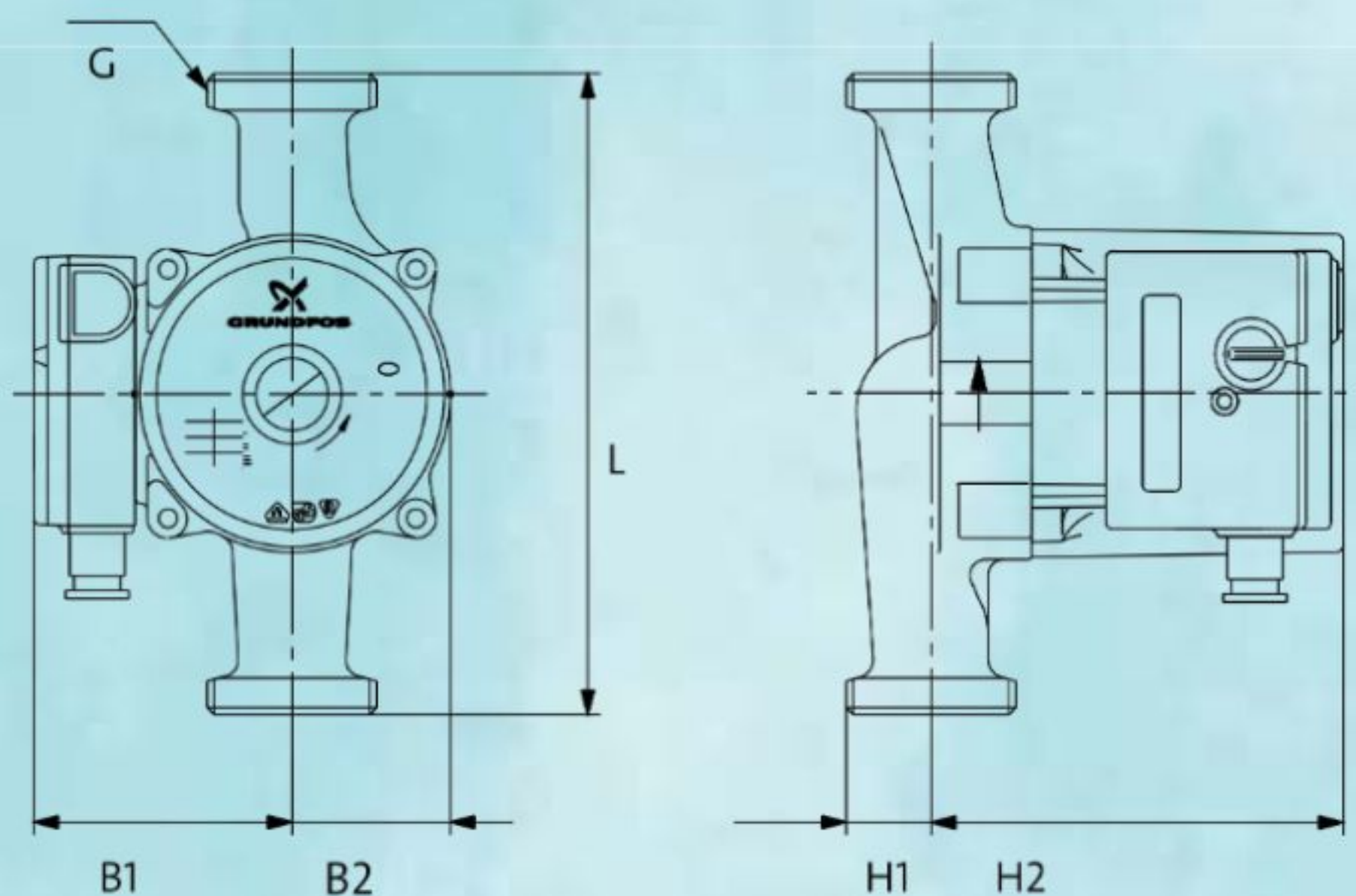
- Pumping liquids: Thin, clean non-corrosive, non-erosion
- Non-explosive without solid particles and fiber liquids
- Liquid Temp range - 0 °C to 109 °C
- Working Temp - 60 °C
- Pressure Rating - Upto 10 bar

PRODUCT RANGE

Part Code	Model	Dimensions						Weight (kg)
		B1	B2	H1	H2	L	G	
96281471	UPS 15-60	75	51	28	102	130	1"	2.5
99309993	UPS 25-60	73	51	32	102	180	1½"	2.6
96621354	UPS 25-70	75	51	32	102	180	1½"	2.6

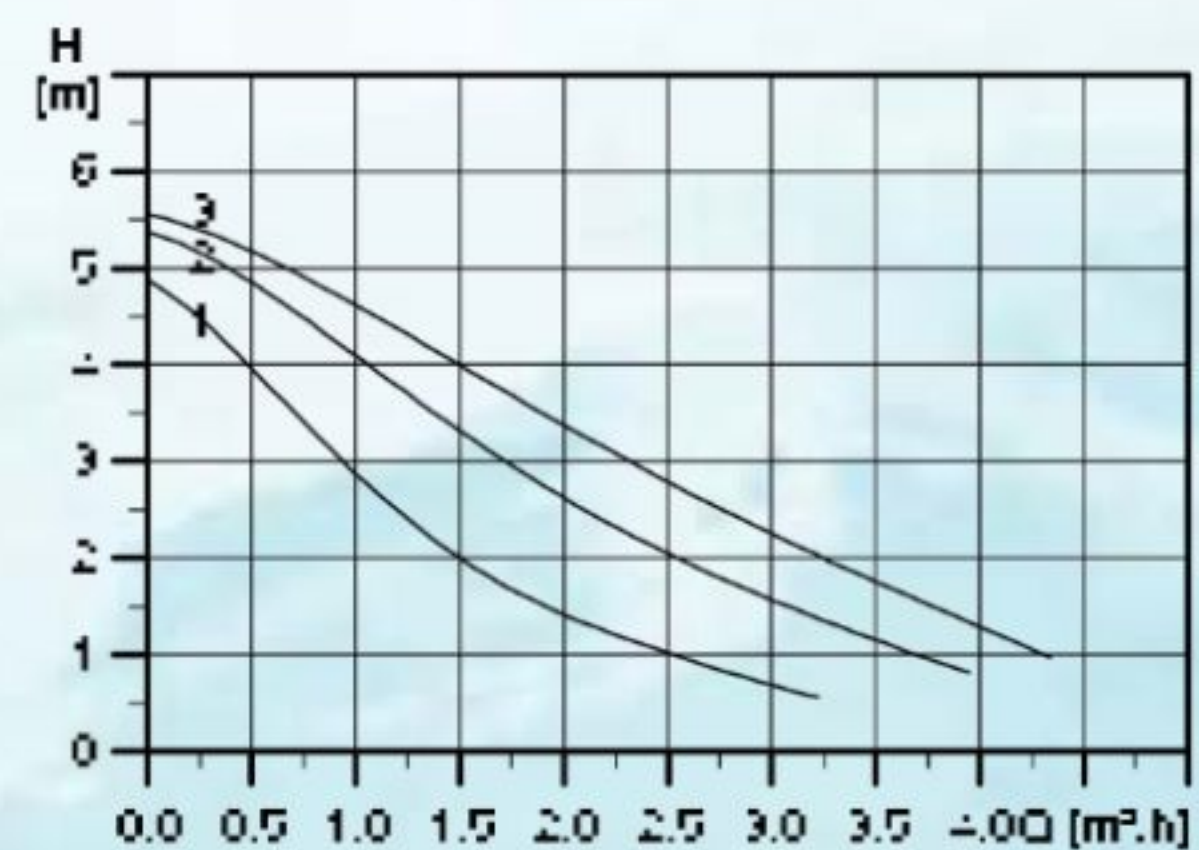
All Dimensions in mm

For all pumps, electrical supply is 1 phase 230 Volts AC, 50 Hz

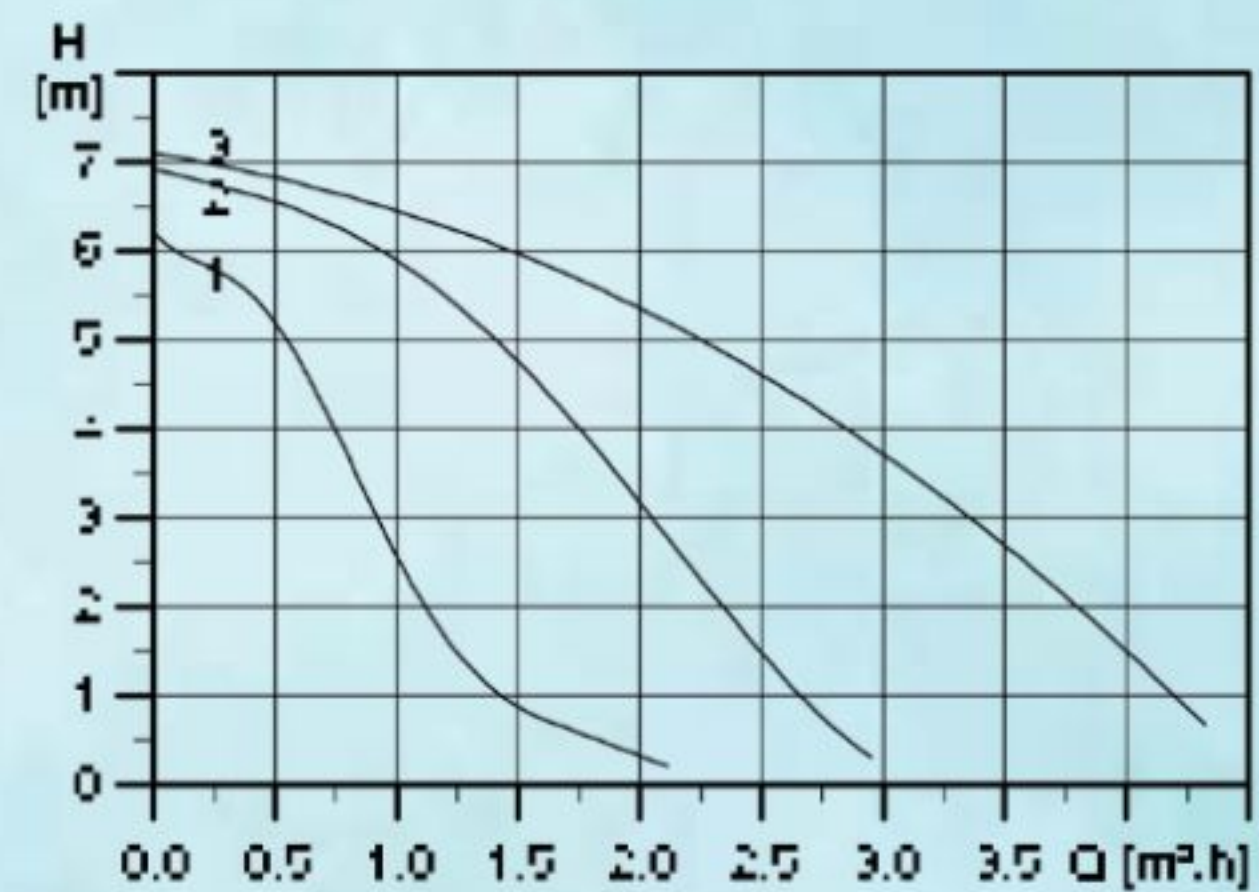


OPERATING CONDITIONS

UPS 25-60



UPS 25-70



UPS 15-60

