

SUBMERSIBLE CONTRACTOR PUMPS FOR DEWATERING AND DRAINAGE APPLICATIONS



DURABLE AND COMPACT DEWATERING PUMPS

– designed for simplicity and use

The DWK range of submersible contractor pumps from Grundfos combines durable performance with ease of installation, providing an immediate return on your dewatering solution investment.

The solid cast iron construction and narrow design means the DWK range is ideal for pits, for temporary or fixed installation, in fact any situation where effective dewatering is needed.

If high-pressure pump performance unhindered by sand or other abrasives is required, or if the available power supply is limited, the DWK range provides the effective dewatering solution for you.



EFFECTIVE DEWATERING – when and where you need it

If you're a contractor working with building or infrastructure construction, the DWK range offers quality pump solutions that remove all rainwater and ground water from your construction area.

The DWK range offers you an immediate return on your dewatering solution investment

- Underground drainage pits in buildings, where limited space and the need for high pressure matches the combination of motor size and pressure capabilities offered by the DWK range.
- Courts drainage solutions, with similar requirements for high pressure and limited space.
- Industrial applications, where water from various processes and functions is collected in drainage pits and then pumped onwards.
- In addition, the DWK-R version offers increased robustness where wear-resistance and maintained performance is required, for example building and infrastructure construction, tunnels and for industry.



DWK PUMP FEATURES

– and what they offer you

Hose, storz or flange connection on the top
Top-discharge with different connection types available for multiple use of the pump, depending on conditions and specific needs.

High efficiency motor

The long-life motor used in the DWK range keeps operating costs down and maintains even performance.

Integrated thermal protection

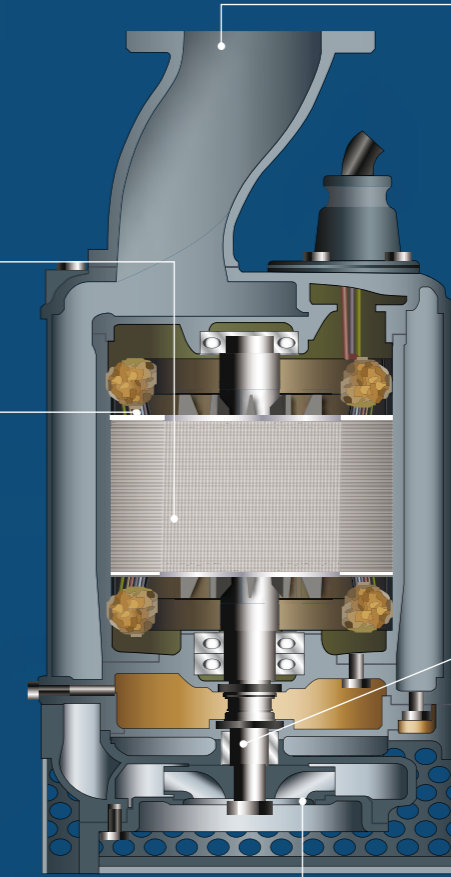
The integrated circuit-cut protects the motor from overheating and operates independently, removing the need for constant monitoring.

Easy maintenance oil plug

The ability to inspect oil condition in the seal chamber makes it easy for you to plan maintenance and service your pump.

Shaft seal

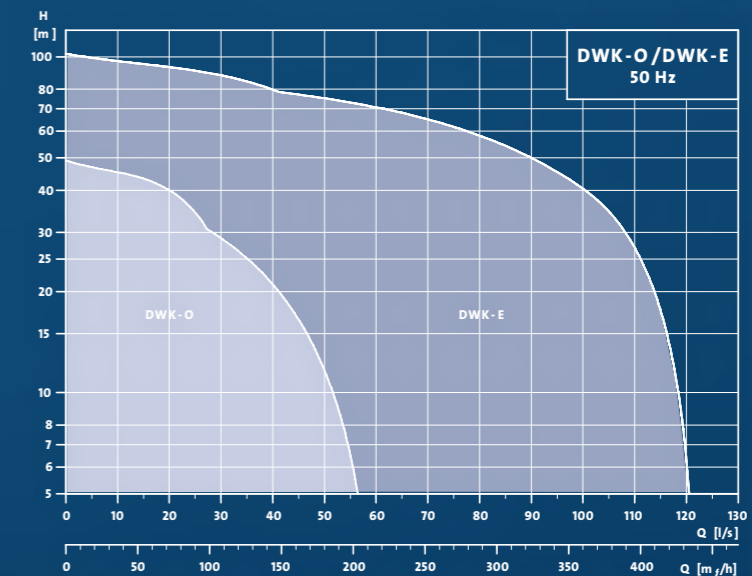
The triple-system sealing provides longer operation and less downtime, and consists of a double mechanical seal with an easily replaceable lip seal.



Highly efficient and wear-resistant impeller

The stainless steel high-chrome impeller maintains its performance, ensuring an increased lifetime.

Performance overview



GRUNDFOS WATER UTILITY – OPTIMISED WATER SOLUTIONS

Grundfos Water Utility is a full-range supplier of intelligent pumps and systems for all water supply and wastewater applications. We optimise pumping solutions to provide maximum reliability and resource efficiency for our customers. Our solutions are made with tried and tested technology and our expertise is part of any delivery.

We offer solutions and expertise within the following applications:

- Raw Water Intake
- Drinking Water Treatment
- Water Distribution
- Wastewater Transport and Flood Control
- Wastewater Treatment

Our products are the result of decades of engineering expertise. Supported by a worldwide service network. Visit grundfos.com/water-utility for more.